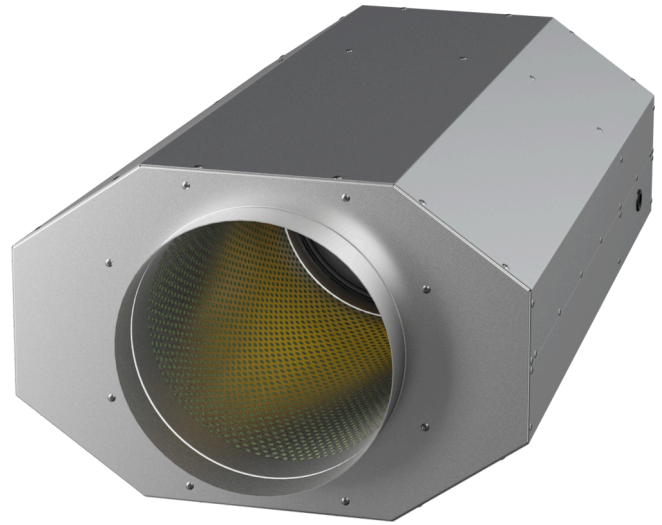


EMI 250 E2M O 01

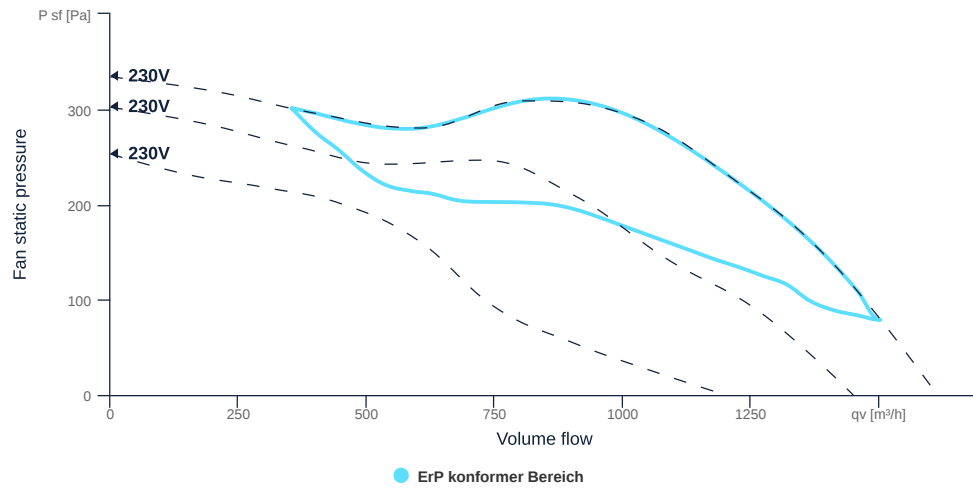
158239

- High-efficiency, insulated diagonal fan
- Optimum sound attenuation due to silencer
- Very compact housing made of galvanized sheet steel
- Robust AC motor, 3-steps controllable
- Highest aerodynamic efficiency
- Conveyed medium temperature up to 50 °C in continuous operation



FAN CURVES

Name	Value	Unit
Volume flow	8523	m³/h
Pressure	968	Pa



to the product detail page

TECHNICAL SPECIFICATIONS

Name	Value	Unit	Formula symbol
Volume flow	1569	m³/h	QV _{calc}
Pressure	32	Pa	psf _{calc}
Fan pressure	-4617	Pa	pf
Fan static pressure	968	Pa	psf
Current consumption Motor	-2	A	le
Current consumption Electric	-2	A	led
Electrical power consumption	-413	W	PeK
Step	3		stage
Rotation speed	3706	1/min	N
Total static efficiency	-556	%	etaFaPeK
Total efficiency	2648	%	etatPeK
SFP (entire device)	-175	W/(m³/s)	sfp _{device}
Sound power level inlet	185	dB(A)	LwA5
Sound power level outlet	555	dB(A)	LwA6
Sound power level housing radiation	180	dB(A)	LwA2

SOUND DATA

Sound power	mid-frequency tape										Unit	Formula symbol
	Σ	63	125	250	500	1000	2000	4000	8000	16000		
suction	186	110	69	124	135	118	140	124	186	116	dB(A)	LwA5
blowout	556	556	182	131	149	143	144	149	138	81	dB(A)	LwA6
Casing break out	181	102	-118	115	130	118	78	181	168	10	dB(A)	LwA2

SOUND PRESSURE LEVEL CALCULATOR

Name	Value	Unit
Enveloping surface	Halphsphere	
Distance	3	m

Sound pressure	NR	mid-frequency tape										Unit	Formula symbol
		Σ	63	125	250	500	1000	2000	4000	8000	16000		
suction	130	168	92	51	106	117	100	122	106	168	99	dB(A)	LwA5
blowout	130	538	538	164	113	131	126	127	132	120	64	dB(A)	LwA6
Casing break out	130	163	84	0	97	113	100	60	163	150	0	dB(A)	LwA2



to the product detail page

EMI 250 E2M O 01

158239

ruck

GENERAL DATA

Name	Value	Unit	Formula symbol
Labeling	CE, UKCA		
Duct size	-		$W \times H_{\text{duct}}$
Pipe connection size (DN)	DN250		DN
Rated voltage (entire device)	230	V	U_{rated}
Phases (entire device)	1~		phase
Electrical protection (entire device)	6 A		fuse
Housing material	Galvanized steel		matcasing
Impeller material	Plastic		matimpeller
Weight	14.3	kg	m
Fan type	Diagonal		Fan _{type}
Category / Installation situation	B		cat

MAXIMAL DATA

Name	Value	Unit	Formula symbol
Max. power consumption (device)	178	W	$P_{\text{ed, max}}$
Max. operating current (device)	0.83	A	$I_{\text{ed, max}}$
Max. speed	2900	1/min	n_{max}
Max. stat. efficiency	44.4	%	η_{es}
Max. fan efficiency	47.8	%	η_{e}
Max. flowrate	1610	m ³ /h	$Q_{\text{v, max}}$
Max. stat pressure	330	Pa	$p_{\text{sf, max}}$
Max. medium temperature	50	°C	$T_{\text{m, max}}$
Max. environment temperature	50	°C	$T_{\text{amb, max}}$
Min. environment temperature	-25	°C	$T_{\text{amb, min}}$



to the product detail page

MOTOR DATA

Name	Value		Unit	Formula symbol
	50 Hz	60 Hz		
Rated frequency (device)		50		f
Motor type		AC 1~		phase
Installation type		IRM (In)		install
Rotation direction		right		rotation
Isolation class		ISO F		ISOclass
Motor-protection		TAI		protectmotor
Protection class		IP00		IPmotor
Is pole-changeable		No		polexch
Type of power supply		AC 1~		pwrsupmotor
Capacity capacitor		5	μF	Ccond
Voltage capacitor		450	V	VUcond
Number of poles (1)		2.000000		num polesw1
Rated voltage	230		V	U _{rated, f1}
Rated current	0.75		A	I _{rated, f1}
Shaft power	100		W	P _{out, f1}
UL-Certification motor		None		ULcert

ERP DATA (LOT11)

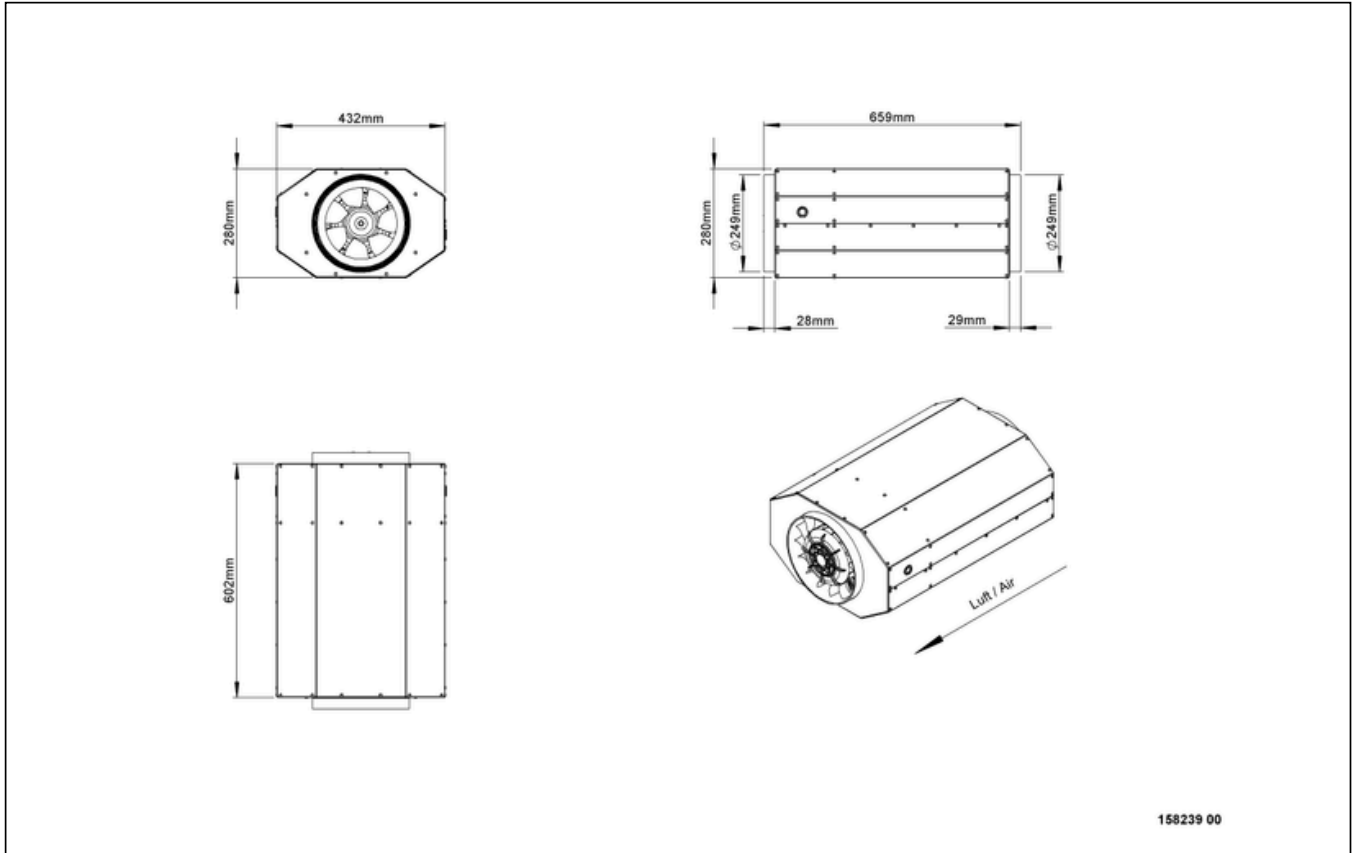
Name	Value	Unit	Formula symbol
Speed at the energy efficiency optimum	2824	1/min	n _{opt}
Efficiency level	56.3	%	N
Efficiency category	total		catefficiency
Input power of the motor at the energy efficiency optimum	0.17	kW	P _{e, opt}
Overall efficiency	75	%	η _{ges}
Measurement category	B		meas cat
Fan pressure at energy efficiency optimum	282	Pa	p _{f, opt}
Flowrate at energy efficiency optimum	1066	m³/h	q _{v, opt}



EMI 250 E2M O 01

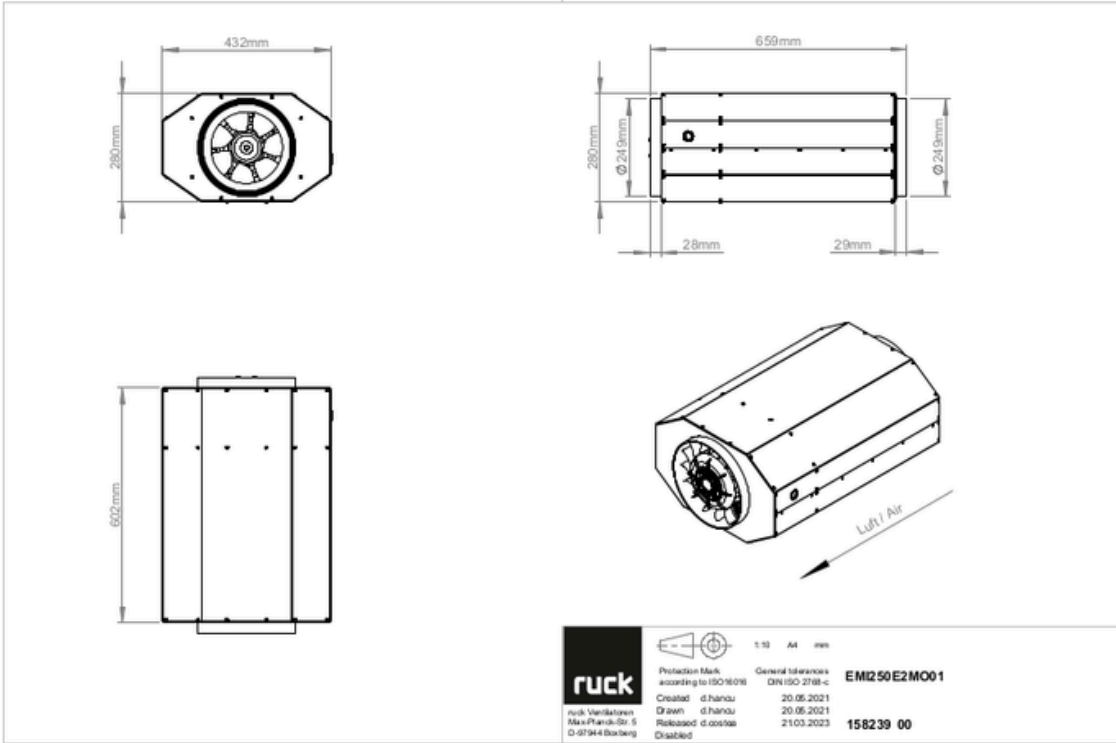
158239

CIRCUIT DIAGRAMS / DIMENSIONAL DRAWINGS



EMI 250 E2M O 01

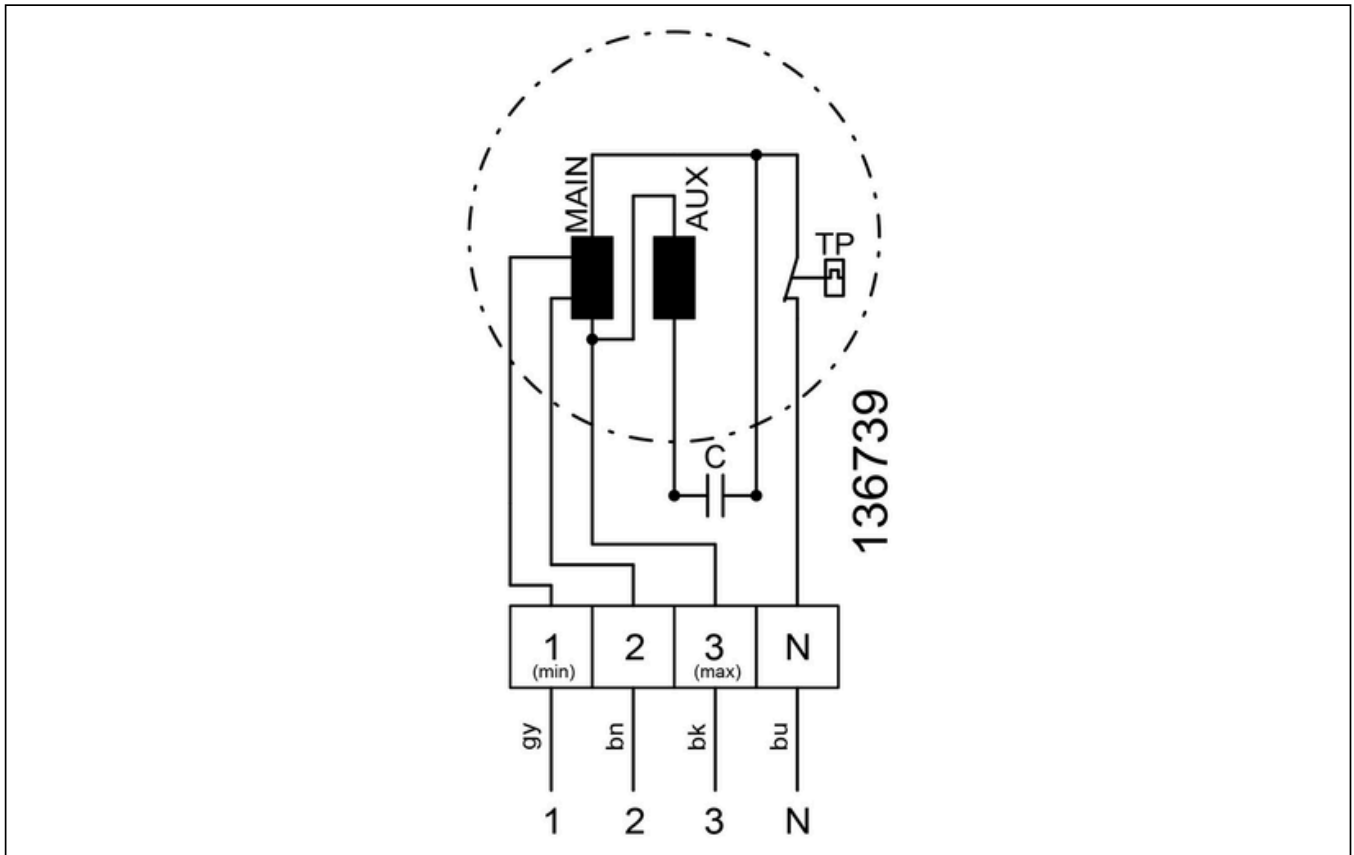
158239



to the product detail page

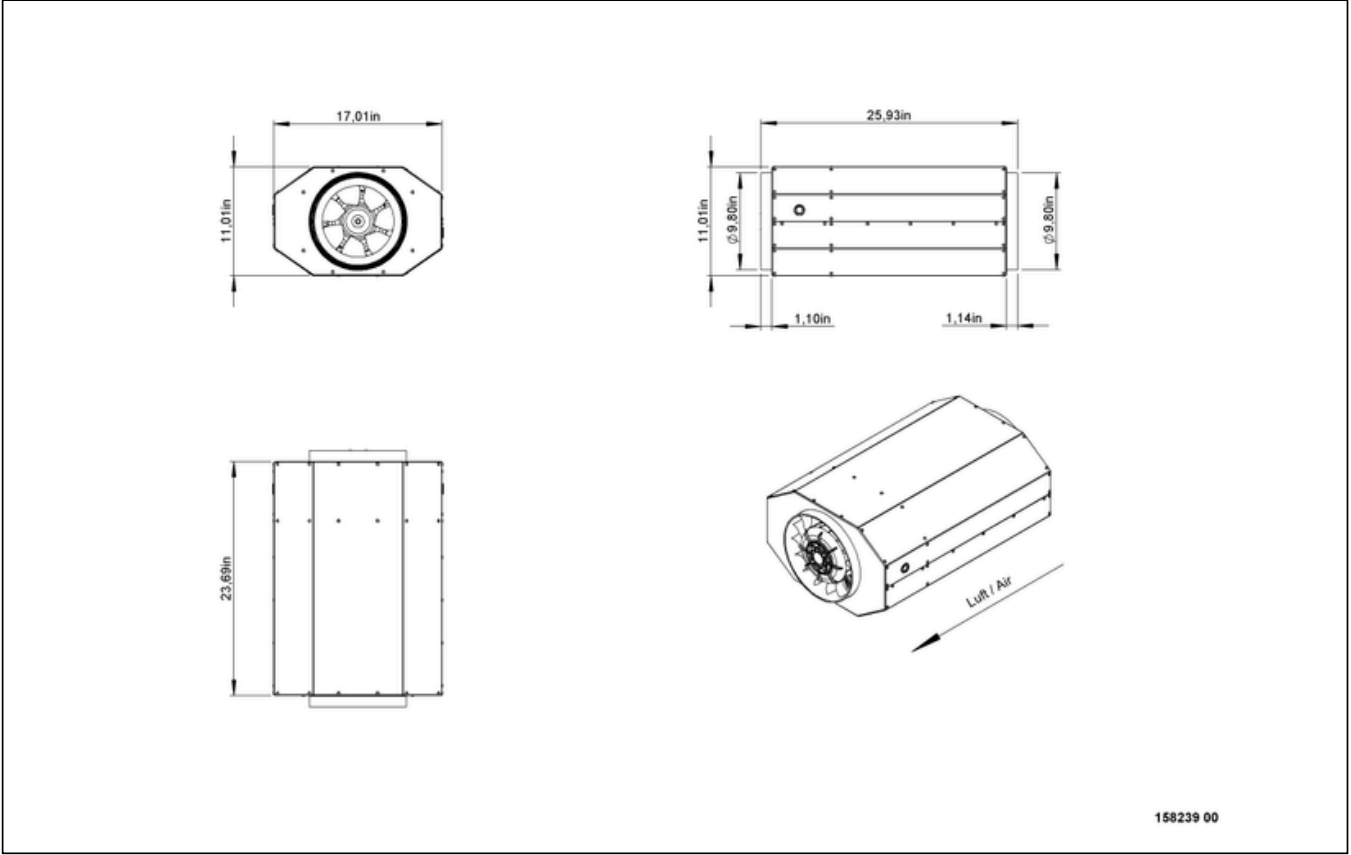
EMI 250 E2M O 01

158239



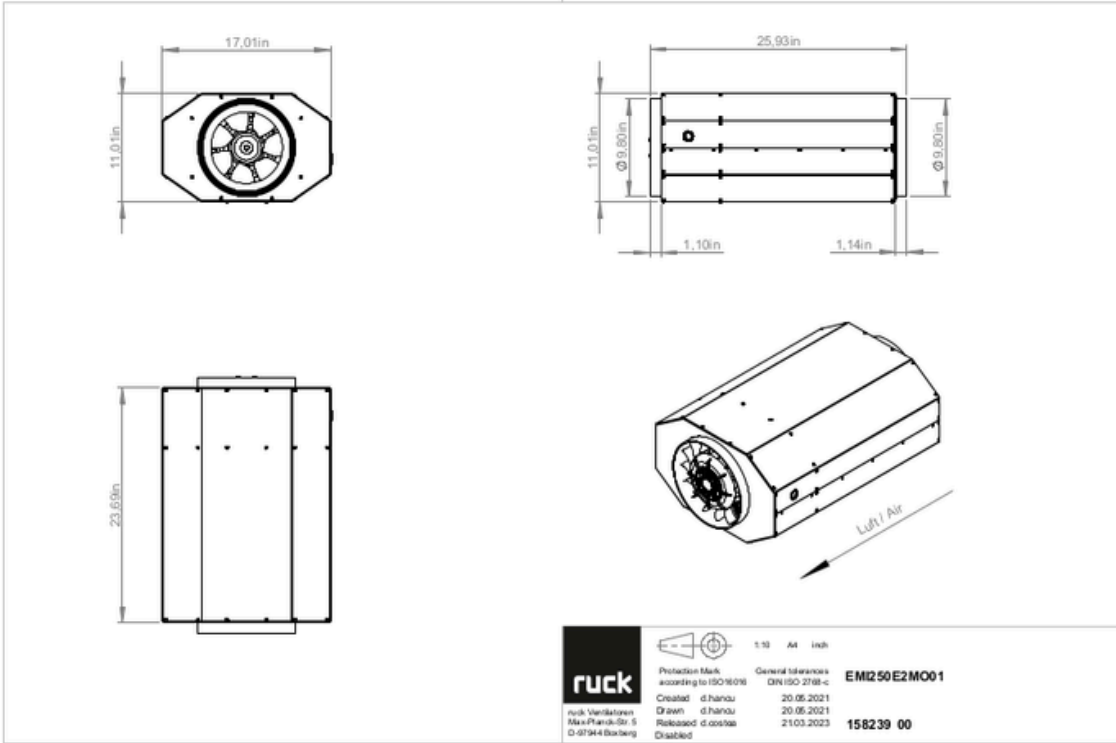
EMI 250 E2M O 01

158239



EMI 250 E2M O 01

158239



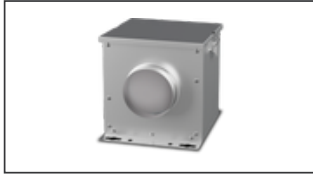
to the product detail page

EMI 250 E2M O 01

158239

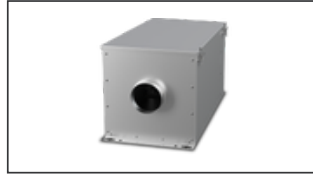
MECHANICAL ACCESSORIES

FV 250 | 112833



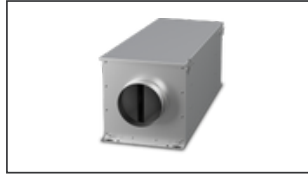
- Air filter box with mat filter ISO Coarse 45 % (G3)
- Toggle-type fastener

FT 250 | 112845



- Air filter box for pocket filter
- Toggle-type fastener
- Galvanized steel sheet housing
- Without filter

FTW 250 | 112854



- Air filter box with pocket filter M5
- Integrated warm water heating coil
- Galvanized steel sheet housing
- Toggle-type fastener

RSK 250D | 113488



- Back draught shutter for tube fitting
- Galvanized steel sheet housing
- Aluminum flaps
- Integrated gasket

VM 250 | 102651



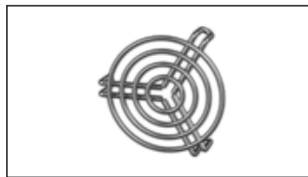
- Fast clamps for sound decoupling and sealing
- Galvanized steel sheet, 5 mm
- Neopren gasket
- 1 Pack = 2 pieces

KWR 250 02 | 124066



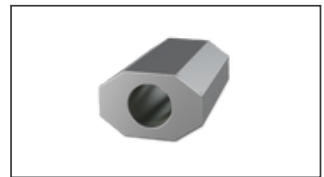
- Cold water cooler, uninsulated
- Version left
- Connection ND 250
- Galvanized steel sheet with condensate tray

SG 250 01 | 102899



- Protection grille for tube connection
- Galvanized wire

SD 00250 500 R 05 | 158252



- Rigid tube silencer
- Galvanized steel sheet
- Insulated with mineral wool

RSK 250 | 102686



- Back draught shutter for tube fitting
- Galvanized steel sheet housing
- Aluminum flaps

KWR 250 01 | 124065



- Cold water cooler, uninsulated
- Version right
- Connection ND 250
- Galvanized steel sheet with condensate tray

ELECTRICAL ACCESSORIES

GS 03 | 107633



- Device switch
- Umax = 400 V, I_{max} = 25 A
- Switching capacity 400 V 3~ = 5,5 kW
- Protection class IP 55

MTS 10 | 128145



- 3-step switch
- Max. ambient temperature 50 °C
- Surface and flush mounting
- IP 44



to the product detail page